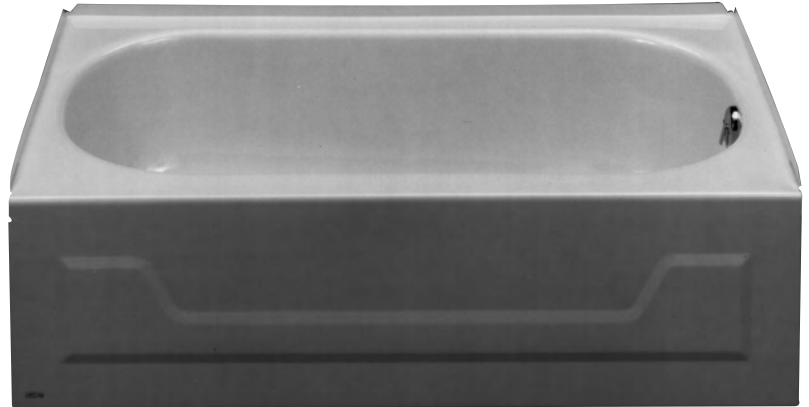




KONA

PORCELAIN ON STEEL 4 1/2' BATHTUB



DESCRIPTION:

This trim 54" x 30" bath is designed for space saving convenience with hotels and apartments in mind. One-piece construction. Fully bonded support pad.

Available in white and bone.

ORDERING INFORMATION:

Standard Outlet
54" x 30 x 15 1/4"

011-2300	RH Drain, plain bottom
011-2301	LH Drain, plain bottom
011-2302	RH Drain, slip-resistant bottom
011-2303	LH Drain, slip-resistant bottom

BOOTZ INDUSTRIES
1400 Park Street
P.O. Box 18010
Evansville, IN 47719-1010
Phone: (812) 423-5401 • FAX: (812) 429-2254
E-Mail: webmaster@bootz.com
Website: <http://www.bootz.com>



SPECIFICATIONS:

Dimensions:

- Length: 54"
- Width: 30"
- Height: 15 5/16"
- Sump Depth: 13 1/2"

Material: Acid resistant porcelain on steel

Shipping Weight:

Approximately 70 lbs.

Complies with:

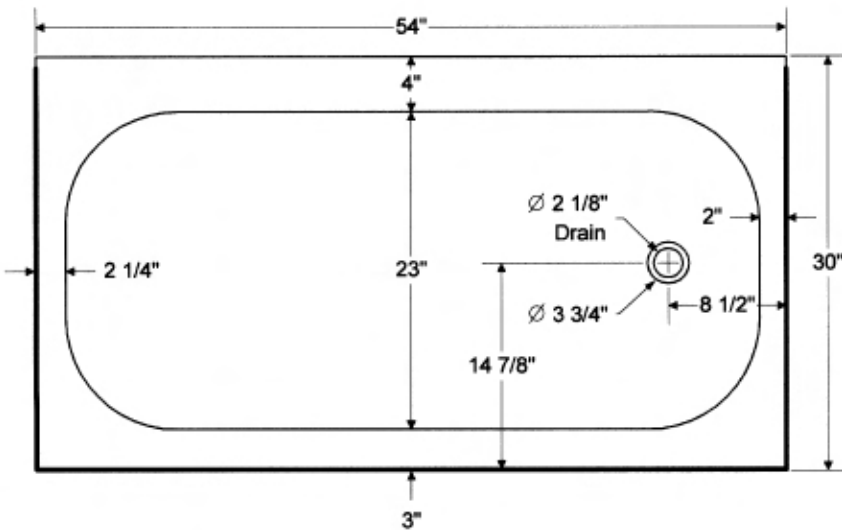
- ASME A112.19.1-2008/CSA B45.2-08
- WW-P-541
- HUD - FHA - VA



Standard Features:

54" X 30" X 15 5/16" size designed for remodeling and new construction. Formed in one piece from enameling grade seamless steel with acid resistant porcelain enamel finish. Available with slip-resistant bottom. Straight front and straight tiling edges. 1" high leakproof tiling flange. Free standing on fully bonded support pad.

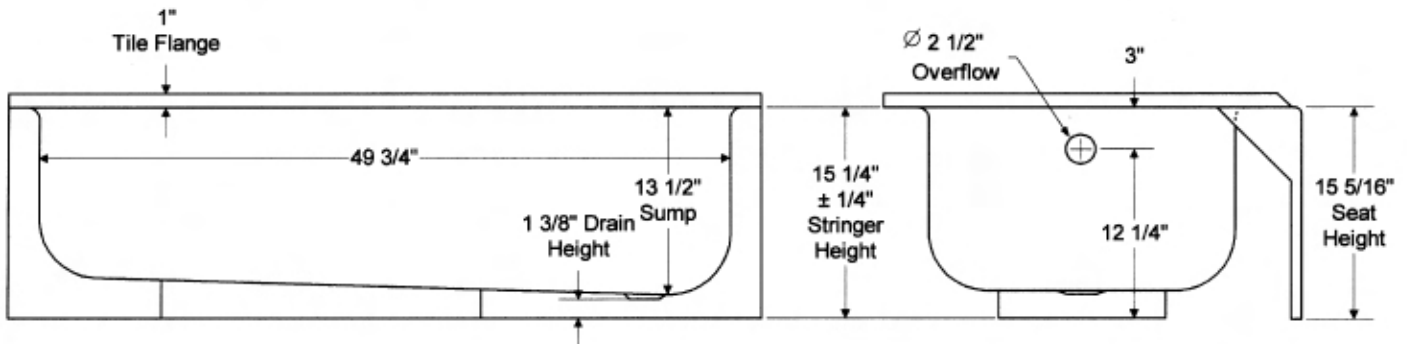
KONA 4 1/2' BATHTUB 011-2300, 2301, 2302, 2303



Kona
One Piece 54" X 30"
Space Saving Tub
011-2300 RH
011-2301 LH (pictured)
011-2302 RH SR
011-2303 LH SR

All Dimensions ± 1/8" unless otherwise noted.

011-2301.vsd



Dimensions shown are for reference. Actual dimensions may vary slightly and should be checked prior to installation.



BOOTZ INDUSTRIES
 1400 Park Street
 P.O. Box 18010
 Evansville, IN 47719-1010
 Phone: (812) 423-5401 • FAX: (812) 429-2254
 E-Mail: webmaster@bootz.com
 Website: <http://www.bootz.com>

