



# HONOLULU

## PORCELAIN ON STEEL

### 4' BATHTUB



#### DESCRIPTION:

A compact 46 $\frac{1}{2}$ " x 27" size for space saving convenience in a one-piece design. Great choice for bath and shower use where space is a premium. Available in white and bone.

#### ORDERING INFORMATION:

- 011 - 2472** RH Drain, plain bottom
- 011 - 2473** LH Drain, plain bottom
- 011 - 2378** RH Drain, slip-resistant
- 011 - 2379** LH Drain, slip-resistant

---

BOOTZ INDUSTRIES  
1400 Park Street  
P.O. Box 18010  
Evansville, IN 47719-1010  
Phone: (812) 423-5401 • FAX: (812) 429-2254  
E-Mail: [webmaster@bootz.com](mailto:webmaster@bootz.com)  
Website: <http://www.bootz.com>



**SPECIFICATIONS:**

**Dimensions:**

Length: 46 1/2"  
 Width: 27"  
 Height: 15 1/4"  
 Sump Depth: 11 3/4"

**Material:** Acid resistant  
 porcelain on steel

**Shipping Weight:**  
 Approximately 58 lbs.

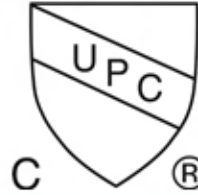
**Complies with:**

ASME A112.19.1-2008/CSA B45.2-08  
 WW-P-541  
 HUD - FHA - VA - CSA

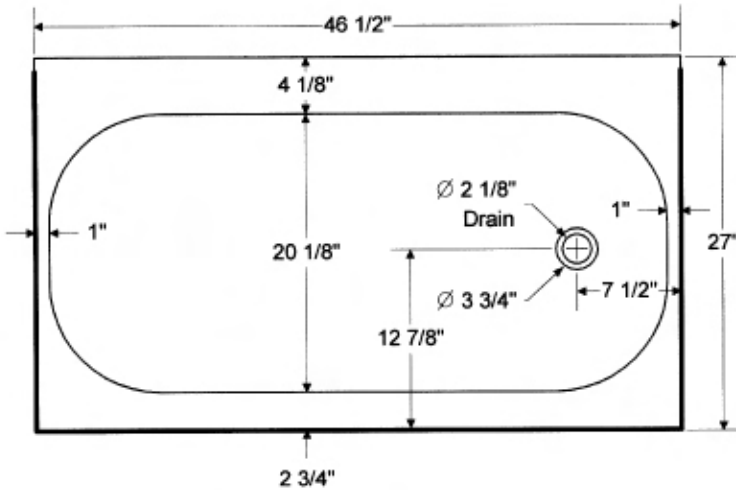
one piece from enameling grade  
 seamless steel with acid resisting  
 porcelain enamel finish. 1" high  
 leakproof tiling flange.

**Standard Features:**

This space saving 46 1/2" x 27"  
 x 15 1/4" bathtub is formed in



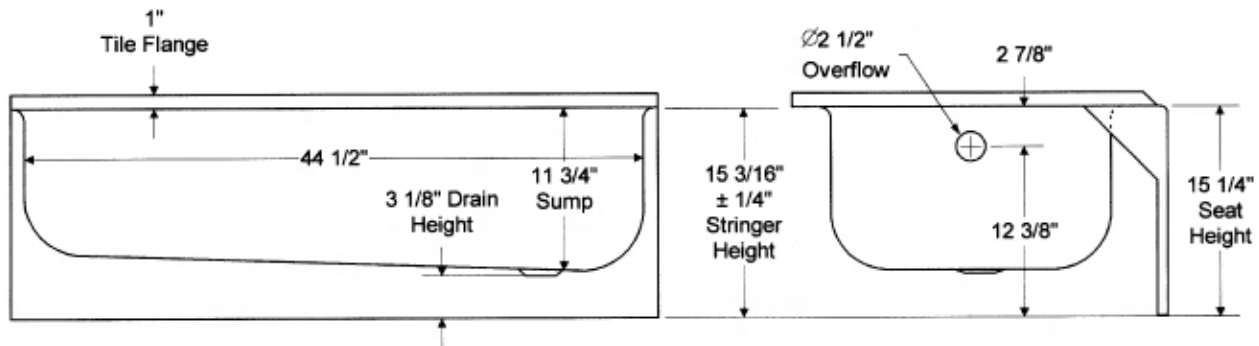
**HONOLULU 4' BATHTUB 011-2472, 2473, 2378, 2379**



**Honolulu**  
**One Piece 46 1/2" X 27"**  
**Compact Tub**  
**011-2472 RH**  
**011-2473 LH (pictured)**  
**011-2378 RH SR**  
**011-2379 LH SR**

All Dimensions ± 1/8" unless otherwise noted.

011-2473.vsd



Dimensions shown are for reference. Actual dimensions may vary slightly and should be checked prior to installation.



**BOOTZ INDUSTRIES**  
 1400 Park Street  
 P.O. Box 18010  
 Evansville, IN 47719-1010  
 Phone: (812) 423-5401 • FAX: (812) 429-2254  
 E-Mail: webmaster@bootz.com  
 Website: <http://www.bootz.com>

